



Trike Conversion Installation Guide
for
Harley-Davidson® Sportster Motorcycles
2004 & Up
Revision 2



CAUTION : Failure to follow these instructions can lead to serious personal injury and/or property damage and may void the warranty

Champion Motorcycle Accessories International, Inc.

dba Champion Sidecars
11841 Monarch Street, CA 92841
(800) 875-0949 (714) 847-0949 Fax (714) 847-1539
www.championtrikes.com



Champion Trikes

Trike Conversion Kit for
2004 & Up

Harley-Davidson® SP Series Motorcycles

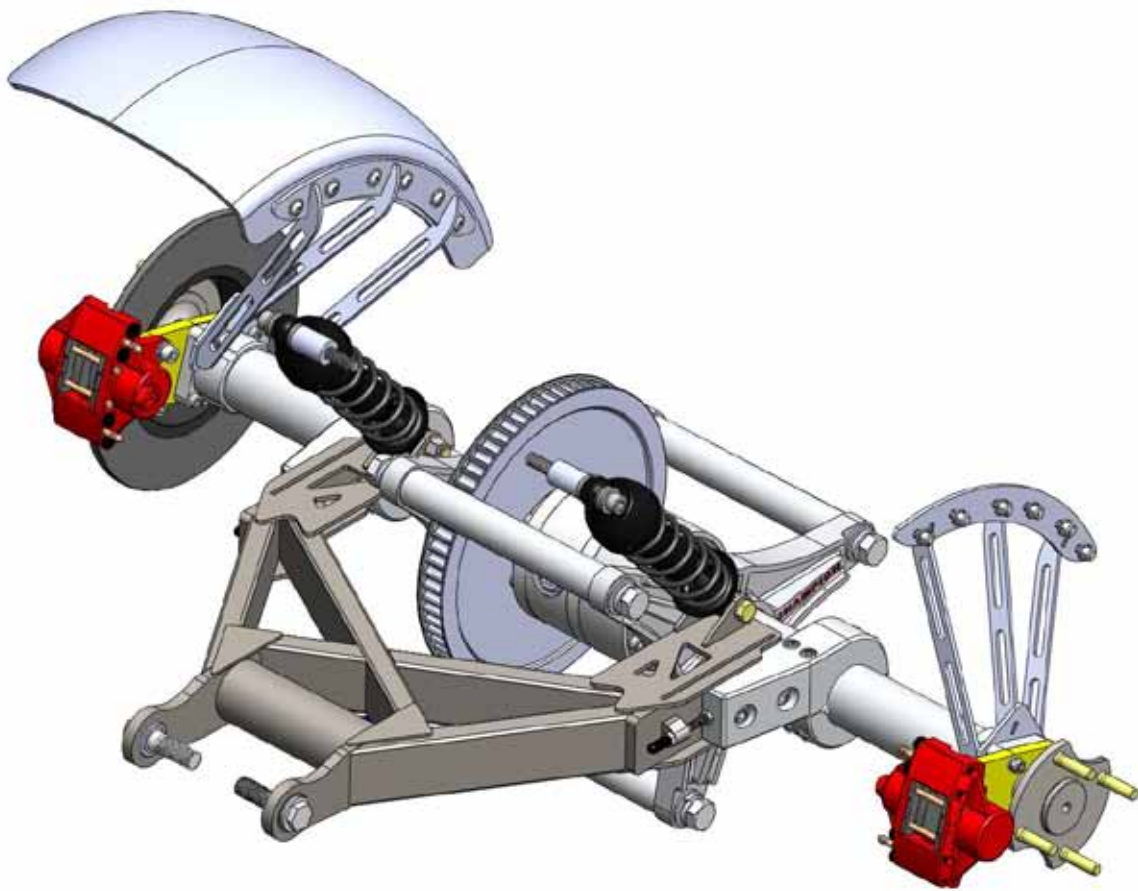




Table of Contents

1	General Information.....	4
1.1	Installation Information.....	4
1.2	For Your Safety.....	4
1.3	Important Safety Precautions	4
1.4	Specifications.....	5
2	Removal of Original Parts	6
3	Installation of Trike Conversion Kit.....	7
3.1	Install New Supplied Belt onto Front Counter Sprocket	7
3.2	Install OEM Swing Arm Pivot Bearings with C-Clips into Champion Swing Arm	7
3.3	Installing Champion Swing Arm to Vehicle	7
3.4	Install Shocks.....	7
3.5	Install Rear Brake Lines and Components	7
3.6	Install Rear Axle Clamps	8
3.7	Install Rear End Assembly.....	8
3.8	Aligning and Tensioning Drive Belt.....	9
3.9	Connect Brake Lines to T-Block.....	10
3.10	Install Fenders	10
3.11	Install Wheels and Tires	10



1 General Information

The Champion Sidecars Trike Conversion Kit is designed with the utmost consideration for safety, quality and ease of installation. The kit comes complete with all necessary hardware and fasteners. However, it is assumed that the installer has advanced/professional skills in motorcycle servicing. It is recommended that installer obtain an OEM service manual for the vehicle on which the Trike kit is to be installed. Please note with the Nightster model you will need to relocate the license plate. We recommend using a layback license plate mount, HD part # 60280-07. In addition you may also need to illuminate your license plate, for example an illuminating license plate frame.

1.1 Installation Information

The information contained in this Installation Guide is intended for use by technicians of advanced to professional skill levels. Attempting installation without the proper training, tools and equipment could cause injury to you or others. It could also damage the vehicle or cause an unsafe condition.

1.2 For Your Safety

Because this guide is intended for technicians of advanced to professional skill levels, we do not provide warnings about many basic shop safety practices. If you have not received shop safety training or do not feel confident about your knowledge of safety practices, we recommend that you do not attempt to perform the procedures described in this guide.

Some of the most important general safety precautions are given below. Champion Sidecars cannot warn you of every conceivable hazard that can arise. Only you can decide whether or not you should perform a given task.

1.3 Important Safety Precautions

- a. Make sure you have a clear understanding of all basic shop safety practices and that you wear appropriate clothing and use safety equipment. Be especially careful of the following:
 - Read all directions before you begin, and make sure you have the tools, the parts and the skills required to perform the tasks safely and completely.
 - Protect your eyes by using proper safety glasses, goggles or face shields anytime you hammer, drill, grind, pry or work around pressurized air or liquids, and springs or other stored-energy components.
 - Use other protective wear when necessary, for example gloves or safety shoes. Handling hot or sharp parts can cause severe burns or cuts.
 - Protect yourself and others when you have a vehicle up in the air. Anytime you lift a vehicle, either by hoist or a jack, make sure that it is securely supported.
- b. Make sure the engine is turned off before you begin work.
 - Carbon Monoxide poisoning from exhaust gases: be sure there is adequate ventilation whenever you run the engine.
 - Burns from hot parts: Let the engine and exhaust system cool before working on those areas.
 - Injury from moving parts: If running the engine, keep hands, fingers and clothing away from moving/rotating parts.



- c. Gasoline vapor and hydrogen gases from batteries are explosive. To reduce the possibility of fire or explosion, be careful when working near gasoline and batteries.
- d. Use only nonflammable solvent, not gasoline, to clean parts.
- e. Never drain or store gasoline in an open container.
- f. Keep all cigarettes, sparks or flame away from the battery and all fuel related parts.

1.4 Specifications

Overall Length:	91"
Overall Width:	55"
Wheel Base:	64"
Load Capacity:	400 Lb
Tire Size (15"):	205 / 70 / R15
Wheel Size (15" 4 lug)	Offset +35 mm 15x7JJ 4 x 4.5
Tire Pressure:	20-25 PSI
Suspension:	"Zero-Flex" Swing Arm Utilizing Champion Coil-Over Shock
Rear Differential:	Custom built rear differential utilizing OEM V-Rod belt
Brakes:	Original front plus 2 high performance disc brakes in rear

2 Removal of Original Parts

Secure and raise motorcycle 9 to 10 inches using a quality motorcycle lift.

Remove the following from the vehicle. See OEM manual for detailed instructions. Items to be retained for re-installation after modification are noted.

- Left and right saddle bags (if so equipped)
- Left and right rear crash bars, saddlebag rails (if so equipped)
- Disconnect rear brake line at caliper and remove clamp from swing arm (Note: Prior to disconnecting line, depress foot brake and secure in down position (e.g., zip-tie to floor board). This will prevent fluid flow when rear brake line is disconnected. Cap line to prevent introduction of dust/debris into line. Rear brake line and clamp with screw will be used later.)
- Loosen belt tension
- Upper shock bolt
- Swing arm assembly, a.k.a. "Rear Fork" (Note: Pivot bolts to be used later. It is recommended to use new spherical bearings and c-clips with Champion swing arm.) Figure 1 and 2
- Front sprocket cover (Note: Some exhaust components may need to be loosened or removed for belt removal.)



Figure 1



Figure 2

3 Installation of Trike Conversion Kit

3.1 Install New Supplied Belt onto Front Counter Sprocket

- a. See OEM manual for belt installation instructions.

3.2 Install OEM Swing Arm Pivot Bearings with C-Clips into Champion Swing Arm

- a. See OE manual for detailed bearing install instructions, noting use of HD special tools. Figure 3

CAUTION: When installing bearing, always press on outer race.

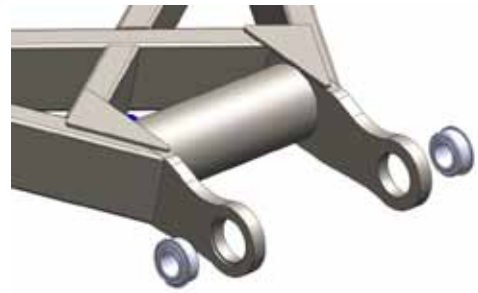


Figure 3

3.3 Installing Champion Swing Arm to Vehicle

- a. Coat OE pivot bolt threads with “Blue Loctite” thread lock.
- b. Install Champion swing arm on frame.
- c. Use OE pivot bolts and torque to 70 lb. ft.



Figure 4

3.4 Install Shocks

- a. Bolt shocks to OE upper shock mount and swing arm as shown using the supplied hardware. Figure 4

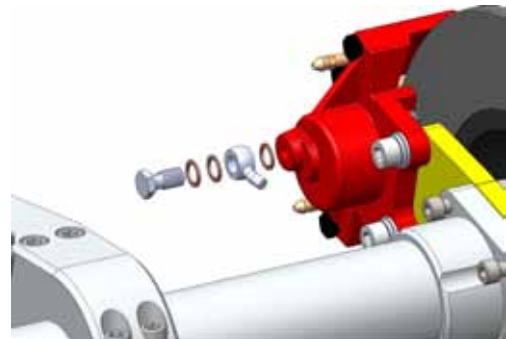


Figure 5

Qty per side	Description
1	1/2-13x4-1/4 socket head bolt
3	1/2 SAE SS flat washer
1	Upper shock pacer
1	1/2-20x2-1/2 GR8 hex head bolt
1	1/2-20 nylock nut

3.5 Install Rear Brake Lines and Components

- a. Attach brake line to each caliper using the supplied banjo bolts and crush washers. (Note: Use a total of three crush washers.) Figure 5
- b. Install t-block with supplied 1/4" bolt, spacer, washer, and nylock nut. Torque nut to 8 lb. ft. Figure 6

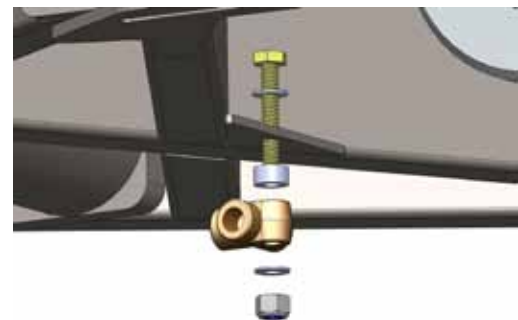


Figure 6

c. Connect blue pressure residual valve to t-block using a crush washer between the two. Torque to 17-19 lb. ft. Figure 7

d. Connect OE brake line from rear master cylinder to pressure residual valve using 10mm single banjo bolt and two crush washers. Torque 17 to 19 lb. ft. Use OE brake line clamp and screw to secure to swing arm. Figure 7

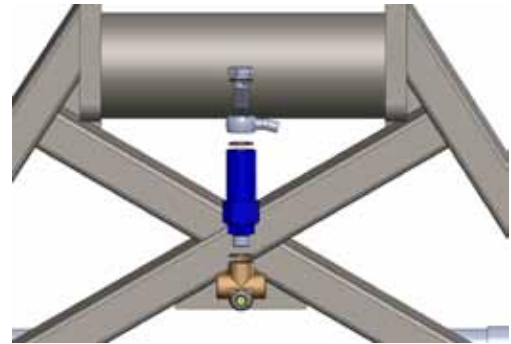


Figure 7

3.6 Install Rear Axle Clamps

a. Install rear axle clamps using the supplied hardware. The driver side clamp slot must register into dowel pin on rear end. (Note: The rear brake lines run through each clamp with nylon protective tube.) Figure 8

Qty per side	Description
2	3/8-16x2-1/2 socket head bolt
2	3/8-16x3-1/2 socket head bolt
8	3/8 SAE SS flat washers
4	3/8-16 nylock nut

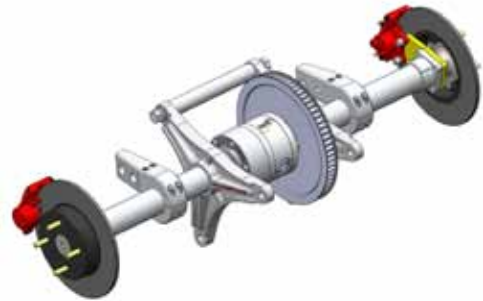


Figure 8

3.7 Install Rear End Assembly

CAUTION: Do not use air driven impact tools to assemble the Champion aluminum rear end assembly.

- Remove two of the connector tubes from the rear end. Figure 8
- Install the supplied 5/16-18x2-1/4 hex head adjuster bolts and jam nuts onto swing arm. Adjuster bolt should be in the furthest forward position to allow room to place belt around rear pulley in a later step. Figure 9
- Loosen axle housing clamps just enough to be able to align clamps with rear of swing arm.
- Passing the left side of the rear end assembly through drive belt, position assembly accordingly and slide axle clamps into the end of the swing arm. Figure 10

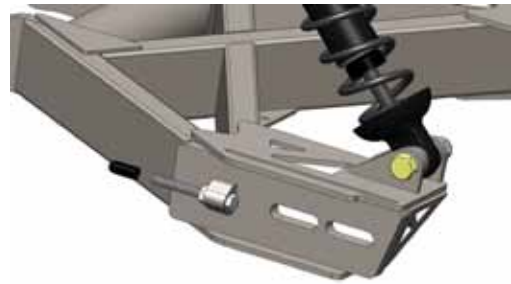


Figure 9



Figure 10

- e. Attach axle clamp to swing arm using the supplied hardware. Snug hardware just enough to still allow the clamp to slide against the swing arm as adjustments will be made later.

Figure 11

Qty per side	Description
1	1/2-13x2-1/4 socket head bolt (front hole)
1	1/2-13x2-1/2 socket head bolt (rear hole)
4	1/2 SAE SS flat washers
2	1/2-13 nylock nut

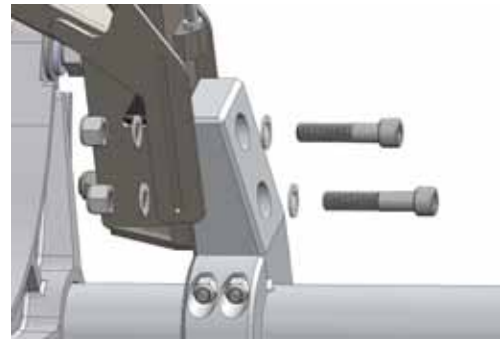


Figure 11

- f. Position drive belt onto rear pulley.
- g. Re-install connector tubes. Apply 2-3 drops of oil to the connector tube bolts, install and torque to 150 lb. ft.

3.8 Aligning and Tensioning Drive Belt

The slots in the swing arm axle clamp mount plate allow the rear end assembly to move a total of approximately 1.25" forward or rearward. The rear end assembly also has a total movement of approximately 1.125" side to side. This movement is accomplished by sliding the axle housing within the axle clamps; it is limited by a dowel pin and groove. The following steps are a starting point to properly align the belt.

- a. Center rear end assembly within the axle clamps. Ensure center by measuring from axle clamp to fender bracket on both sides until equal.
- b. Tighten nuts on axle clamp to 31 lb. ft. (Note: Ensure braided brake line is seated properly in saddle and does not get pinched between the two halves.)
- c. Adjust adjuster bolts to set belt tension and to square rear end assembly to swing arm. The belt should have approximately 3/4" of total vertical movement. Tighten jam nut to lock adjuster bolt.
- d. Rotate rear sprocket several times by hand to seat belt on sprocket. The belt should run in the center of the rear sprocket and approximately 1/8" from inside edge of the front counter-sprocket. Make small adjustments if needed and recheck alignment. Figure 12



Figure 12

NOTE: Belt tension and alignment should be checked prior to final assembly of trike kit. Check with vehicle secured on jack stands and adjust accordingly if needed.

3.9 Connect Brake Lines to T-Block

- a. Connect braided lines from each wheel caliper to t-block.
- b. Using brake fluid specified on the master cylinder, bleed rear brake system thoroughly using the upper bleeders on rear brake calipers.

3.10 Install Fenders

- a. Attach fender brackets to rear end housing using the supplied hardware. Torque to 19 lb. ft. Figure 13

Qty per side	Description
3	M8x1.25x45 socket head bolt
3	M8 flat washer
3	M8x1.25 stover lock nut

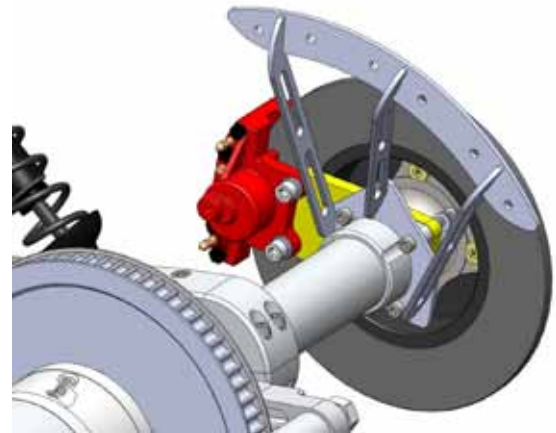


Figure 13

- b. Attach fenders to brackets using the supplied hardware. Torque to 17 lb. ft. Figure 14 and 15

Qty per side	Description
6	5/16-18x1 button head bolt
6	5/16 flat washer SS 3/4" OD
6	5/16 sae flat washer clear zinc
6	5/16-18 nylock nut clear zinc

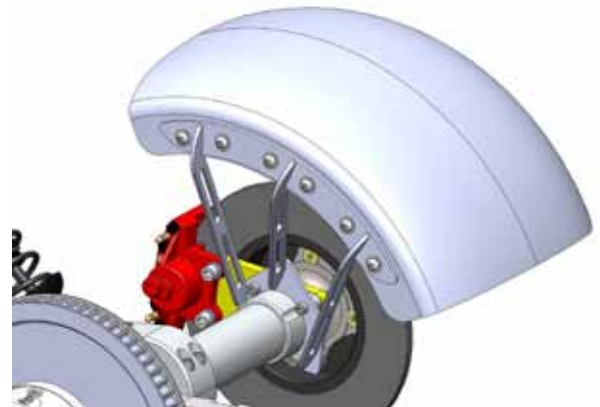


Figure 14

3.11 Install Wheels and Tires

- a. Install wheels with tires and torque to 75 lb. ft.

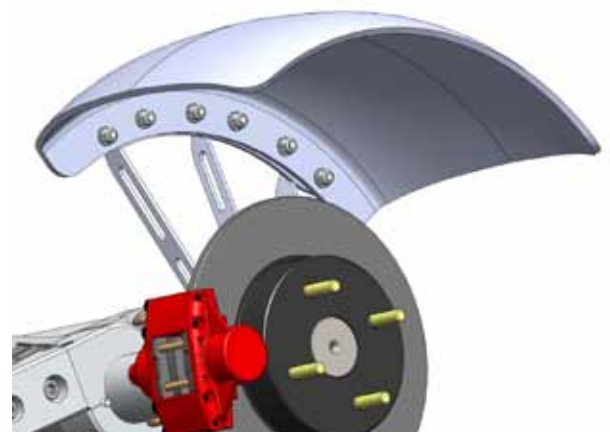


Figure 15